



PICCHIANI & BARLACCHI

Shaping metal since 1902

PICCHIANI & BARLACCHI

Tradition, Made in Italy, Quality imprinted on metal

Over 110 years have passed since the foundation of Picchiani & Barlacchi in 1902: over one century of culture and art are crystalized in our artistic and commemorative medals, crests, trophies, fashion accessories and many other objects, manufactured with mastery. They remind us of unforgettable events at local, national and international level.

Our origins are profoundly eradicated in Florence's cultural and artistic milieu and our medals can prove it: Picchiani & Barlacchi's archive comprehends over 400.000 dies, imprinting on metal our national and international history from early 20th century up until today.

We manufacture prestige objects in a solely independent way, without delegating any phase of production neither employing product of foreign origin, **letting Made in Italy grow stronger and flourish.**

Gazing at the future, as my ancestors did before me and as we are also doing today together with my mother and my aunt, we are carrying on our *"family narrative"* of constant pursue of quality and excellency.

Since over one century, we have been welcoming every order with the same care and enthusiasm, designing it together with the client and personalizing it according to his own tastes and requirements. We do not only shape metal, we care for every detail and carefully create immortal pieces of art, apt at celebrating the importance of a certain event and the client's reputation.

MATTEO PARRI
CEO Picchiani & Barlacchi



WHY CHOOSE PICCHIANI & BARLACCHI CUFFLINKS?

Details tell stories and are a symbol of originality and sophistication.

Cufflinks have become a true status symbol and, today, represent a valuable and elegant accessory, to be worn especially on special occasions, **that reveals much about the style, history, and personality of the wearer.**

By choosing Picchiani & Barlacchi cufflinks, you are relying on the skills of those who, **for over a century, have been dedicated to metalworking and the creation of unique items** through the craftsmanship of internationally renowned artists and sculptors, and the heritage of the best engravers, printers, and Florentine craftsmen.

Thanks to our experience, you can be assured of owning **an object that best expresses your tastes or giving a unique and personalized gift.**



THE PICCHIANI & BARLACCHI METHOD

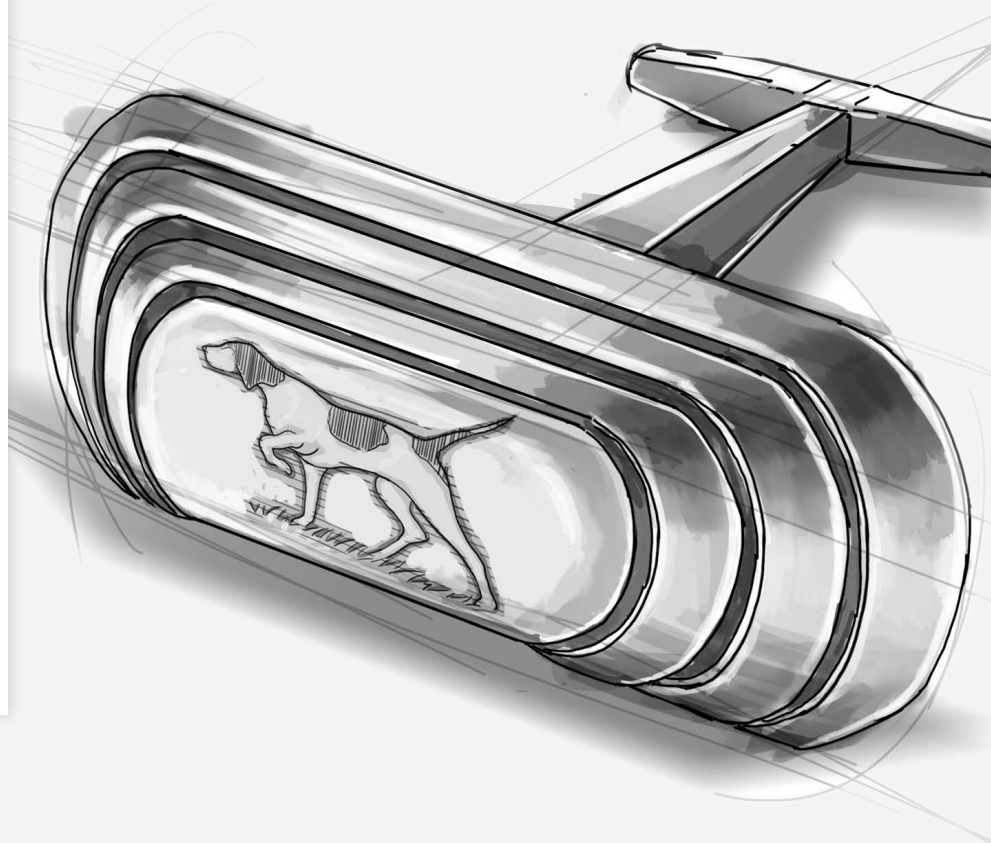
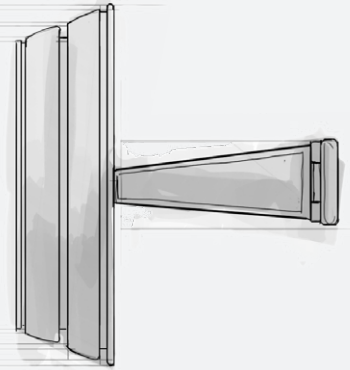
Picchiani & Barlacchi's method requires several production phases.

The journey begins with a **product's sketch**, which has been created strictly for the client's own use. As a tailored suit, it responds perfectly to the owner's requirement and it is protected by copyright.

From the design, our artists will manufacture a **prototype**, and once approved, the rest of the production will follow.

Every phase is meticulously supervised by our master artisans and engravers. These will **polish and hand refine** possible imperfection left by machines. This allows to maintain even the smallest detail during all production phase.

Once the production process is completed, the products **will undergo a meticulous quality check and will be selected** in order to be impeccable for shipment or pick up.





Fincantieri Cufflinks



State Police Cufflinks



Series "Born in Florence" Cufflinks



Leonardo Company Cufflinks





State Police Cufflinks



Series "Born in Florence" Cufflinks

11F1 Cufflinks





Call us now to discuss your needs
and to receive an **artist's drawing**
of your cufflinks free of charge



CALL US NOW

GESTIONE PICCHIANI E BARLACCHI S.R.L.

Via Bramante, n°16 - 50028 Tavarnelle Val di Pesa (Florence)

Tel. +39 055 225751 | Fax +39 055 221115

info@picchianiebarlacchi.it | www.picchianiebarlacchi.it